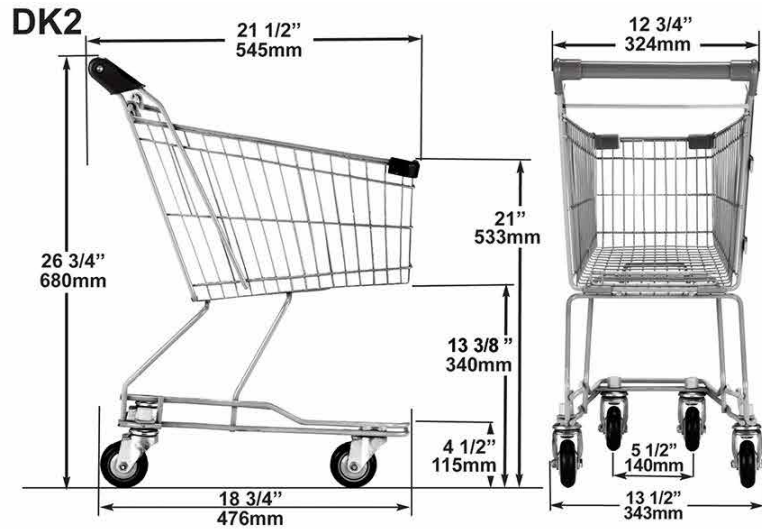


SHOPPING TROLLEY FOR KIDS

DK2

TECHNICAL DATA SHEET



PROPERTIES

PAYLOAD CAPACITY:	1 520 CU. IN. / 25 LITERS
WEIGHT:	15,5 LBS / 7 KG
NESTING DISTANCE:	6 IN. (152 MM)
FINISH:	E-COATING / GREY COLOR
WHEELS:	3 IN. (76 MM) DOUBLE BEARING / FRONT SWIVEL WHEELS

FEATURES

HEAVY-DUTY FRAME WITH REINFORCED WELDING
HEAVY DUTY WIRE BASKET
REINFORCED METAL PLATE FOR FRONT WHEELS
METAL HANDLE COVERED WITH COLOR INSERT & CLEAR PVC
2 BUMPERS

OPTIONS

CORPORATE NAME PRINTED ON HANDLE INSERT
FLAG POST WITH « NEW CUSTOMER IN TRAINING » STICKER



Chariot Shopping.com

DRAKKAR INTERNATIONAL INC.
636 Guimond Blvd, Longueuil (Qc) Canada J4G 1P8